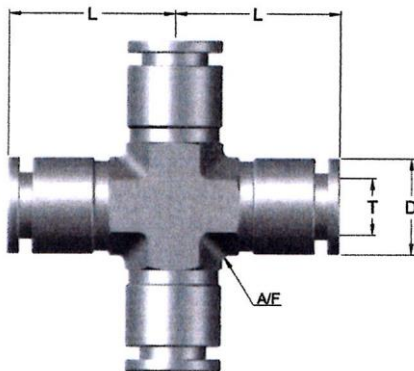


849.010 ES

Union tee

Art. No.	Type No.	T For tube O.D. mm	D mm	L mm	A/F mm
135269	849.004 ES	4	10.0	20.3	10
135270	849.006 ES	6	12.4	22.0	12
135271	849.008 ES	8	14.0	23.2	14
135272	849.010 ES	10	16.5	24.3	16
135273	849.012 ES	12	19.0	26.7	19
135274	849.014 ES	14	21.8	28.7	22
135275	849.016 ES	16	23.3	30.0	24



860.008 ES

X-union

Art. No.	Type No.	T For tube O.D. mm	D mm	L mm	A/F mm
135276	860.004 ES	4	10.0	20.3	10
135277	860.006 ES	6	12.4	22.0	12
135278	860.008 ES	8	14.0	23.2	14
135279	860.010 ES	10	16.5	24.3	16
135280	860.012 ES	12	19.0	26.7	19
135281	860.014 ES	14	21.8	28.7	22
135282	860.016 ES	16	23.3	30.0	24